

# KZL strain relief plates

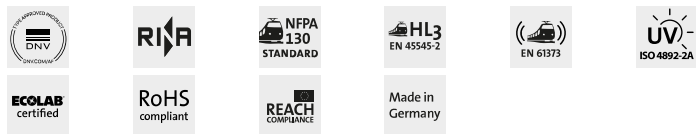
pluggable on 35 mm top hat DIN rails and C section rails C30



The strain relief plate KZL is used for static or dynamic applications for organising and securing cables on machines, control panels or drag chains.

The design of the strain relief unit provides secure strain relief according to EN 62444. Mount of the cables or pneumatic tubing is easily done using cable ties.

KZL Strain relief plates can be mounted on 35 mm top hat DIN rails and C section rails C30.



## Specifications

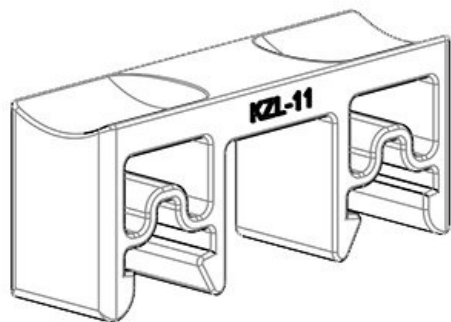
Material	Polyamide
Flame class	UL94-V0, self-extinguishing
Operating temperature	-40 C° to 140 C°
Properties	silicone free, halogen free
Mounting options	Snap-in

## Advantages & benefits

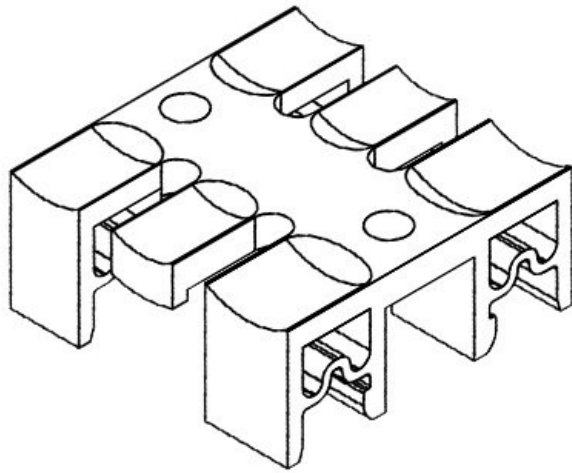
- Strain relief according to EN 62444
- Fast and easy mounting
- Cost-effective solution
- High cable density
- Versatile utilisation

## Product types & sizes

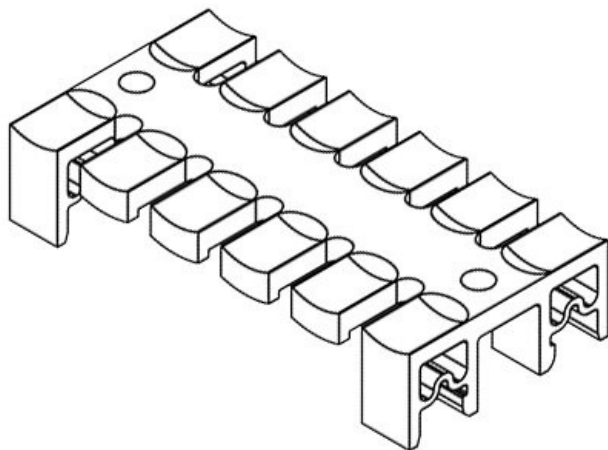
KZL 11



Part No.	<b>32250</b>	Mounting height	<b>10,7 mm</b>
EAN	<b>4251269300</b>	No. of teeth	<b>1</b>
Package quantity	<b>10</b>		
For max. no. of cables	<b>1</b>		
Length	<b>11,5 mm</b>		
Width	<b>39,5 mm</b>		
Height	<b>16,5 mm</b>		



Part No.	<b>32260</b>	Mounting height	<b>10,7 mm</b>
EAN	<b>4251269300</b>	No. of teeth	<b>3</b>
Package quantity	<b>10</b>		
For max. no. of cables	<b>3</b>		
Length	<b>38,5 mm</b>		
Width	<b>39,5 mm</b>		
Height	<b>16,5 mm</b>		



Part No.	<b>32262</b>	Mounting height	<b>10,7 mm</b>
EAN	<b>4251269300</b>	No. of teeth	<b>6</b>
Package quantity	<b>10</b>		
For max. no. of cables	<b>6</b>		
Length	<b>79,5 mm</b>		
Width	<b>39,5 mm</b>		
Height	<b>16,5 mm</b>		

Part No.	<b>32264</b>	Mounting height	<b>10,7 mm</b>
EAN	<b>4251269300</b>	No. of teeth	<b>9</b>
Package quantity	<b>10</b>		
For max. no. of <b>9</b> cables			
Length	<b>139,5 mm</b>		
Width	<b>39,5 mm</b>		
Height	<b>16,5 mm</b>		

